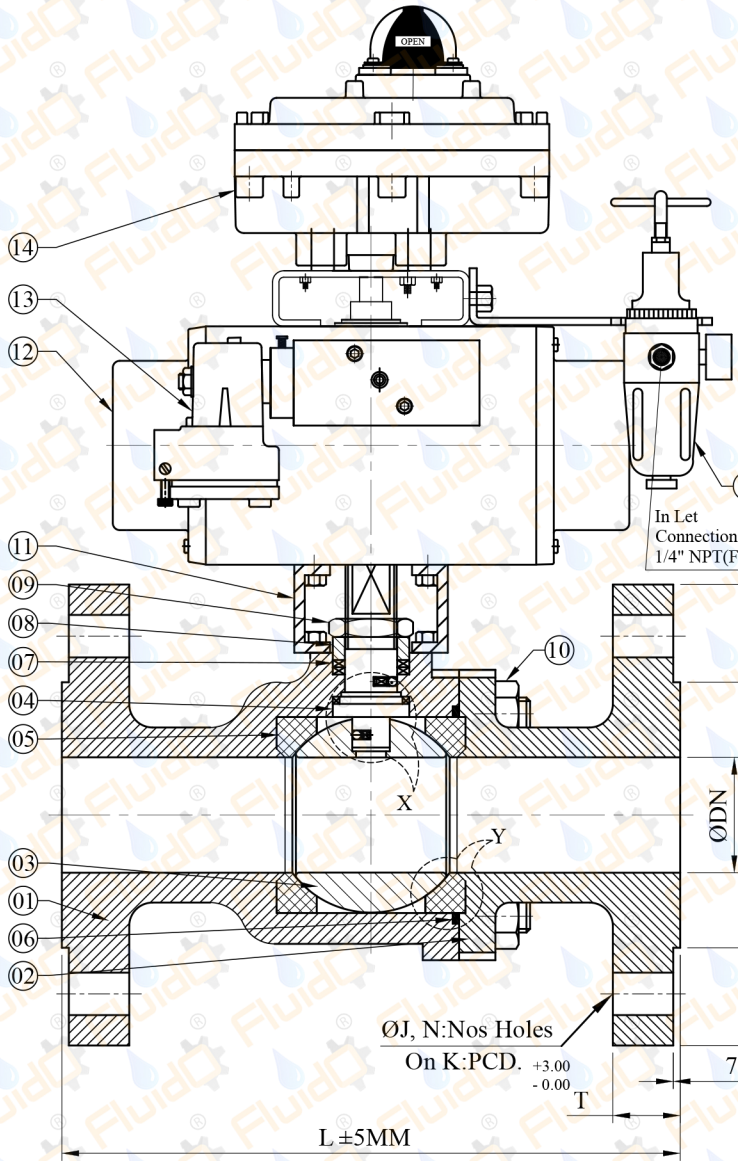




2PC. FB, PNEUMATIC OPERATION 1500# / 2500#
SOLENOID VALVE / LIMIT SWITCH / FRL
BALL VALVES

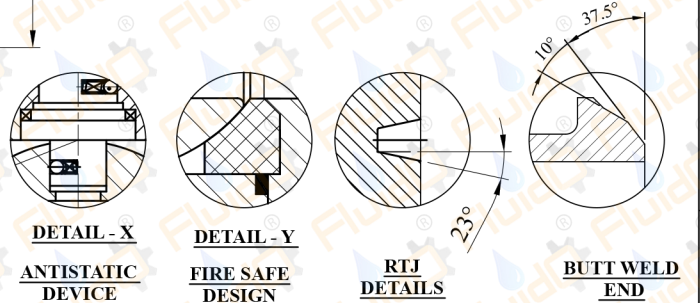


SECTIONAL ELEVATION

No.	Description	Material
1	Body	ASTM A 216 Gr.WCB / LCB / CD4MCU / CN7M /
2	Side Piece	DUPLIX / ASTM A 351 Gr.CF8/CF8M/CF3/CF3M
3	Ball	AISI 304 / 316 / 304L / 316L / CF8 / CF8M /
4	Stem	ASTM A 105/WCB+HARD CROME / CF3 / CF3M /
5	Ball Seat	CD4MCU / CN7M / DUPLIX / CA15
6	Body Seal	AISI 304 / 316 / 304L / 316L
7	Gland Seal	PTFE / R-PTFE / PEEK / DEVLON / GFT / CARBON FILLED
8	Gland Bush	PTFE / R-PTFE / PEEK / DEVLON / GFT / CARBON FILLED
9	Gland Nut	AISI 304 / 316 / 304L / 316L
10	Stud & Nut	C.S. / B7 / 2H / S.S.304 / S.S.316 / AS PER REQ.
11	Actuator Bracket	C.S. / S.S.304 / S.S.316 (INTEGRAL / FABRICATED)
12	Actuator	DOUBLE / SINGLE ACTING
13	Solenoid valve	5X2 WAY / 3X2 WAY
14	Limit Switch	01NO + 01 NC TYPE
15	Air Filter Regulator	STANDARD
16	Name Plate	S.S. (NOT SHOWN)

STANDARD	
DESIGN MFG. STD.	API 6D / BS EN 17292
INSP. & TESTING	API 598 / BS 6755 (I)
FIRE SAFE DESIGN	API 607 / API6FA
FACE TO FACE	API 6D / ANSI B 16.10
END CONNECTION	FALNGED ENDS B 16.5 R/F / RTJ ASME B16.5 RF 1500# / 2500#
BUTTWELD END	ASME B16.25
OPERATING	PNEUMTIC ACTUATOR OPERATING

TESTING STANDARD : API 598 / BS 6755 (I)			
1500# PRESSURE RATING		2500# PRESSURE RATING	
BODY	392 Kg/Cm ²	BODY	653 Kg/Cm ²
SEAT	289 Kg/Cm ²	SEAT	478 Kg/Cm ²
AIR SEAT	07 Kg/Cm ²	AIR SEAT	07 Kg/Cm ²



ALL DIMENSION ARE IN MM 1500#								
SR.NO	SIZE	FACE TO FACE (L)	FLANGE O.D. (D)	RAISED FACE DIA. (G)	FLANGE THK. (I)	NO. OF HOLES (X)	HOLE DIA. (Y)	P.C.D. (Z)
01	2"	50	368	216	92	08	25.0	165.0
02	2.1/2"	65	419	244	105	08	29.0	190.0
03	3"	80	470	267	127	08	32.0	203.0
04	4"	100	546	311	157	08	35.0	241.5
05	5"	125	673	375	186	08	41.0	292.0
06	6"	150	705	394	216	12	38.0	317.5
07	8"	200	832	483	270	12	45.0	393.5
08	10"	250	991	584	324	12	51.0	482.5
09	12"	300	1130	673	381	16	54.0	571.5

ALL DIMENSION ARE IN MM 2500#								
SR.NO	SIZE	FACE TO FACE (L)	FLANGE O.D. (D)	RAISED FACE DIA. (G)	FLANGE THK. (I)	NO. OF HOLES (X)	HOLE DIA. (Y)	P.C.D. (Z)
01	2"	50	451	235	92	08	29.0	171.5
02	2.1/2"	65	508	267	105	08	32.0	197.0
03	3"	80	578	305	127	08	35.0	228.5
04	4"	100	673	356	157	08	41.0	273.0
05	5"	125	794	419	186	08	48.0	324.0
06	6"	150	914	483	216	12	54.0	368.5
07	8"	200	1022	552	270	12	67.0	438.0
08	10"	250	1270	673	324	12	73.0	540.0
09	12"	300	1445	762	381	16	73.0	619.5

Client :-
Order / Enq. No. :-
Job / Project :-

Office : Plot No-2, Shayona Ind. Estate, Nr. Panchratna Ind. Estate, Vatva GIDC Phase-IV, Ahmedabad-382445, Gujarat, India.
Factory : Plot no-14/1A, Panchratna Ind. Estate, Vatva GIDC Phase-IV, Ahmedabad-382445, Gujarat, India.
EMAIL: INFO@FLUIDOMECH.COM/URL:WWW.FLUIDOMECHVALVES.COM. URL: WWW.FLUIDOMECH.COM