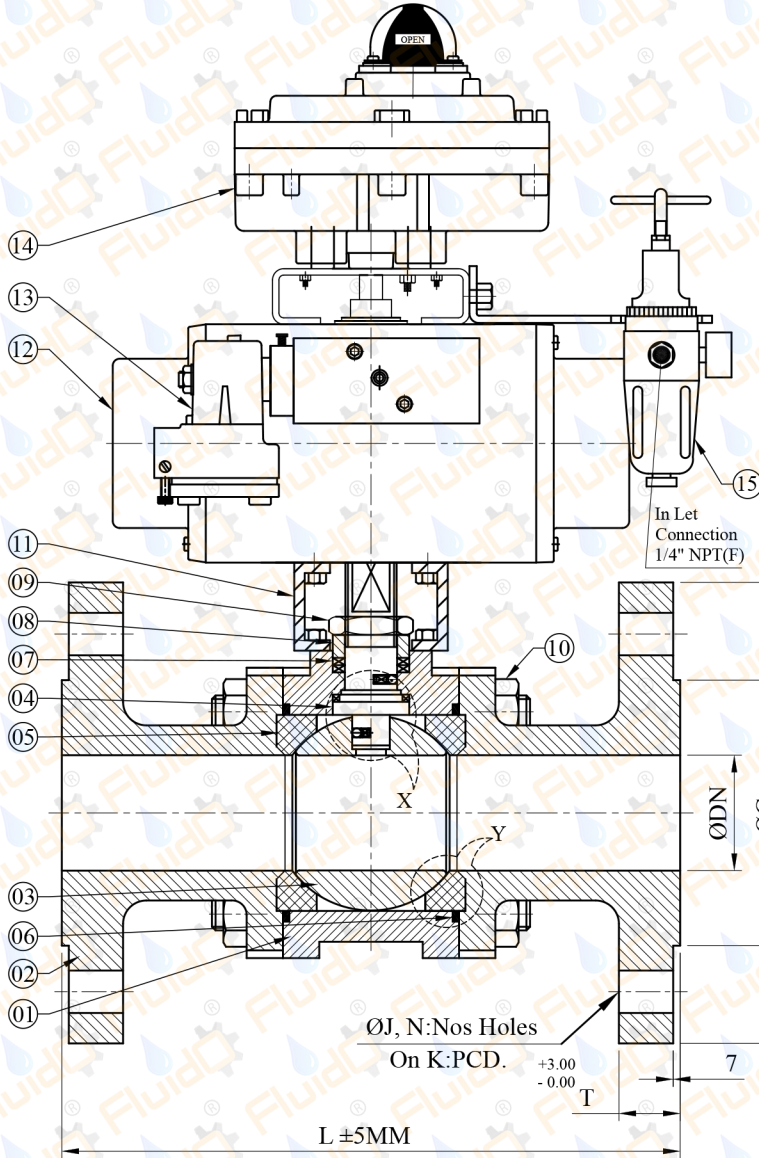




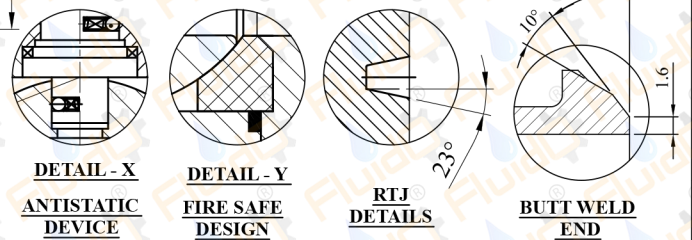
**3PC. FB, PNEUMATIC OPERATION 600# / 900#
SOLENOID VALVE / LIMIT SWITCH / FRL
BALL VALVES**



No.	Description	Material
1	Body	ASTM A 216 Gr.WCB / LCB / CD4MCU / CN7M / DUPLX / ASTM A 351 Gr.CF8/CF8M/CF3/CF3M
2	Side Piece	AISI 304 / 316 / 304L / 316L / CF8 / CF8M / ASTM A 105/WCB+HARD CROME / CF3 / CF3M / CD4MCU / CN7M / DUPLX / CA15
3	Ball	AISI 304 / 316 / 304L / 316L
4	Stem	PTFE / R-PTFE / PEEK / DEVLON / GFT / CARBON FILLED
5	Ball Seat	PTFE / R-PTFE / PEEK / DEVLON / GFT / CARBON FILLED
6	Body Seal	PTFE / R-PTFE / PEEK / DEVLON / GFT / CARBON FILLED
7	Gland Seal	AISI 304 / 316 / 304L / 316L
8	Gland Bush	C.S. / AISI 304 / 316 / 304L / 316L
9	Gland Nut	C.S. / B7 / 2H / S.S.304 / S.S.316 / AS PER REQ.
10	Stud & Nut	C.S. / S.S.304 / S.S.316 (INTEGRAL / FABRICATED)
11	Actuator Bracket	DOUBLE / SINGLE ACTING
12	Actuator	5X2 WAY / 3X2 WAY
13	Solenoid valve	01NO + 01 NC TYPE
14	Limit Switch	STANDARD
15	Air Filter Regulator	S.S. (NOT SHOWN)
16	Name Plate	

STANDARD	
DESIGN MFG. STD.	API 6D / BS EN 17292
INSP. & TESTING	API 598 / BS 6755 (I)
FIRE SAFE DESIGN	API 607 / API6FA
FACE TO FACE	API 6D / ANSI B 16.10
END CONNECTION	FALNGED ENDS B 16.5 R/F / RTJ ASME B16.5 RF 600# / 900#
BUTTWELD END	ASME B16.25
OPERATING	PNEUMTIC ACTUATOR OPERATING

TESTING STANDARD : API 598 / BS 6755 (I)			
600# PRESSURE RATING		900# PRESSURE RATING	
BODY	157 Kg/Cm ²	BODY	236 Kg/Cm ²
SEAT	117 Kg/Cm ²	SEAT	173 Kg/Cm ²
AIR SEAT	07 Kg/Cm ²	AIR SEAT	07 Kg/Cm ²



SECTIONAL ELEVATION

NOTE :- AS PER CLIENT REQVIDE

ALL DIMENSION ARE IN MM 600#								
SR.NO	SIZE	FACE TO FACE (L)	FLANGE O.D. (D)	RAISED FACE DIA. (G)	FLANGE THK. (T)	NO. OF HOLES (X)	HOLE DIA. (Y)	P.C.D. (Z)
01	2"	50	292	165	92	32.4	19.0	127.0
02	2.1/2"	65	330	190	105	35.0	22.2	149.2
03	3"	80	356	210	127	38.0	22.2	168.3
04	4"	100	432	273	157	44.5	25.4	216.0
05	5"	125	508	330	186	51.0	28.6	266.7
06	6"	150	559	356	216	54.0	12	28.6
07	8"	200	660	419	270	62.0	12	32.0
08	10"	250	787	508	324	70.0	16	35.0
09	12"	300	838	559	381	73.0	20	35.0
10	14"	350	889	603	413	76.5	20	38.0
11	16"	400	991	686	470	82.5	20	41.3
12	18"	450	1092	743	534	89.0	20	44.5

ALL DIMENSION ARE IN MM 900#								
SR.NO	SIZE	FACE TO FACE (L)	FLANGE O.D. (D)	RAISED FACE DIA. (G)	FLANGE THK. (T)	NO. OF HOLES (X)	HOLE DIA. (Y)	P.C.D. (Z)
01	2"	50	368	216	92	44.5	08	25.4
02	2.1/2"	65	419	244	105	48.0	08	28.6
03	3"	80	381	241	127	44.5	08	25.4
04	4"	100	457	292	157	51.0	08	32.0
05	5"	125	559	349	186	57.0	08	35.0
06	6"	150	610	381	216	62.0	12	32.0
07	8"	200	737	470	270	70.0	12	38.0
08	10"	250	838	546	324	76.5	16	38.0
09	12"	300	965	610	381	86.0	20	38.0
10	14"	350	1029	641	413	92.0	20	41.3
11	16"	400	1130	705	470	95.5	20	44.5
12	18"	450	1219	787	534	108	20	51.0

Client :- _____
Order / Enq. No. :- _____
Job / Project :- _____

Office : Plot No-2, Shayona Ind. Estate, Nr. Panchratna Ind. Estate, Vatva GIDC Phase-IV, Ahmedabad-382445, Gujarat, India.
 Factory : Plot no-14/1A, Panchratna Ind. Estate, Vatva GIDC Phase-IV, Ahmedabad-382445, Gujarat, India.
 EMAIL: INFO@FLUIDOMECH.COM/URL:WWW.FLUIDOMECHVALVES.COM. URL: WWW.FLUIDOMECH.COM