

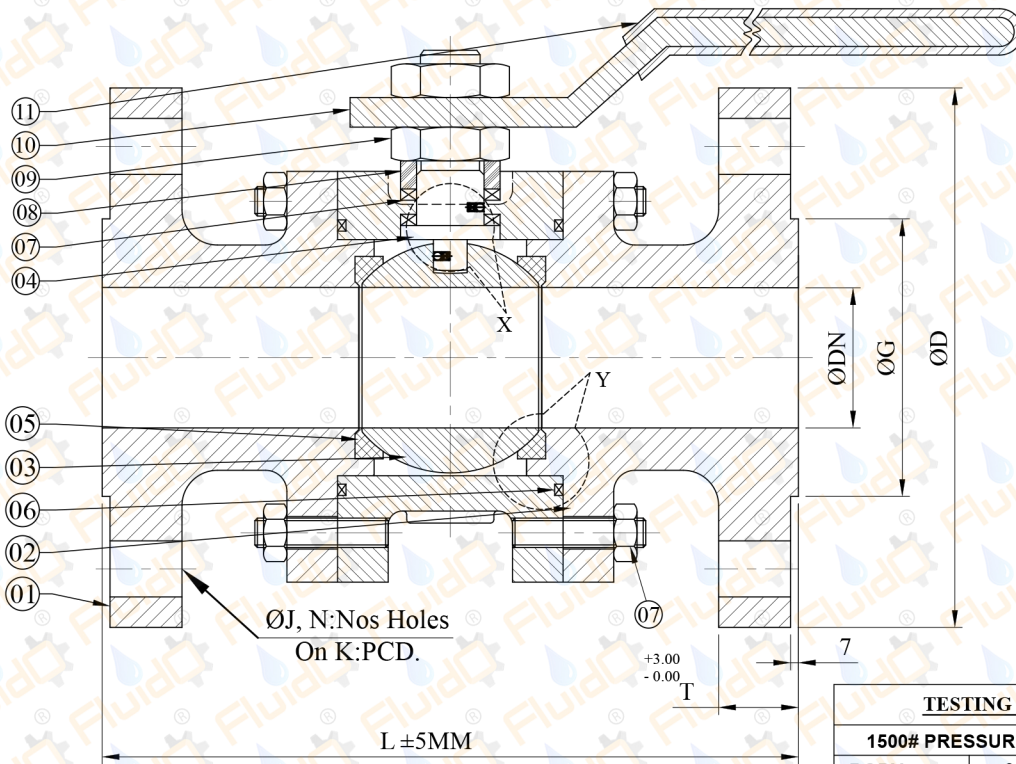


VALVES

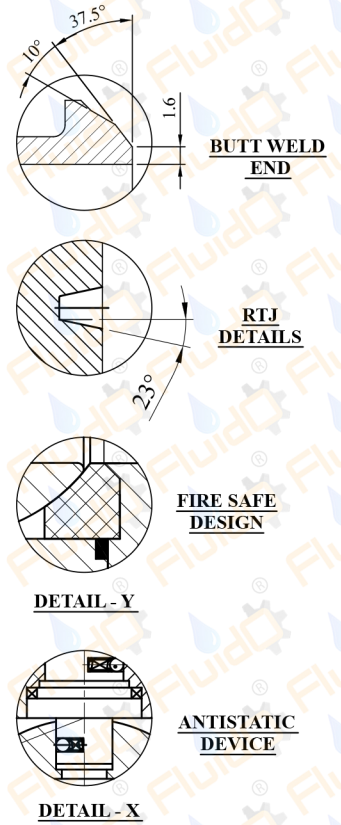
3PC. FB, LEVER OPERATION 1500# / 2500# BALL VALVES

| No. | Description | Material |
|-----|-------------|-----------------------------------------------------|
| 1 | Body | ASTM A 216 Gr.WCB / LCB / CD4MCU / CN7M / |
| 2 | Side Piece | DUPLEX / ASTM A 351 Gr.CF8/CF8M/CF3/CF3M |
| 3 | Ball | AISI 304 / 316 / 304L / 316L / CF8 / CF8M / |
| | | ASTM A 105/WCB+HARD CROME / CF3 / CF3M / |
| | | CD4MCU / CN7M / DUPLEX / CA15 |
| 4 | Stem | AISI 304 / 316 / 304L / 316L |
| 5 | Ball Seat | PTFE / R-PTFE / PEEK / DEVLON / GFT / CARBON FILLED |
| 6 | Body Seal | PTFE / R-PTFE / PEEK / DEVLON / GFT / CARBON FILLED |
| 7 | Gland Seal | PTFE / R-PTFE / PEEK / DEVLON / GFT / CARBON FILLED |
| 8 | Gland Bush | C.S. / AISI 304 / 316 / 304L / 316L |
| 9 | Gland Nut | C.S. / AISI 304 / 316 / 304L / 316L |
| 10 | Lever | C.S. / S.S.304 / S.S.316 |
| 11 | Sleeve | PVC |
| 12 | Name Plate | S.S. (NOT SHOWN) |

| STANDARD | |
|------------------|-------------------------------|
| DESIGN MFG. STD. | API 6D / BS EN 17292 |
| INSP. & TESTING | API 598 / BS 6755 (I) |
| FIRE SAFE DESIGN | API 607 |
| FACE TO FACE | API 6D / ANSI B 16.10 |
| END CONNECTION | FALNGED ENDS B 16.5 R/F / RTJ |
| | ASME B16.5 RF 1500# / 2500# |
| BUTTWELD END | ASME B16.25 |
| OPERATING | LEVER OPERATING |



SECTIONAL ELEVATION



| TESTING STANDARD : API 598 / BS 6755 (I) | | | |
|------------------------------------------|------------------------|-----------------------|------------------------|
| 1500# PRESSURE RATING | | 2500# PRESSURE RATING | |
| BODY | 392 Kg/Cm ² | BODY | 653 Kg/Cm ² |
| SEAT | 289 Kg/Cm ² | SEAT | 478 Kg/Cm ² |
| AIR SEAT | 07 Kg/Cm ² | AIR SEAT | 07 Kg/Cm ² |

| ALL DIMENSION ARE IN MM 1500# | | | | | | | | | |
|-------------------------------|--------|------------------|-----------------|----------------------|-----------------|------------------|---------------|------------|-------|
| SR.NO. | SIZE | FACE TO FACE (L) | FLANGE O.D. (D) | RAISED FACE DIA. (G) | FLANGE THK. (T) | NO. OF HOLES (X) | HOLE DIA. (Y) | P.C.D. (Z) | |
| 01 | 2" | 50 | 368 | 216 | 92 | 44.5 | 08 | 25.0 | 165.0 |
| 02 | 2.1/2" | 65 | 419 | 244 | 105 | 47.6 | 08 | 29.0 | 190.0 |
| 03 | 3" | 80 | 470 | 267 | 127 | 54.2 | 08 | 32.0 | 203.0 |
| 04 | 4" | 100 | 546 | 311 | 157 | 60.3 | 08 | 35.0 | 241.5 |
| 05 | 5" | 125 | 673 | 375 | 186 | 79.6 | 08 | 41.0 | 292.0 |
| 06 | 6" | 150 | 705 | 394 | 216 | 89.0 | 12 | 38.0 | 317.5 |
| 07 | 8" | 200 | 832 | 483 | 270 | 98.4 | 12 | 45.0 | 393.5 |

| ALL DIMENSION ARE IN MM 2500# | | | | | | | | |
|-------------------------------|--------|------------------|-----------------|----------------------|-----------------|------------------|---------------|------------|
| SR.NO. | SIZE | FACE TO FACE (L) | FLANGE O.D. (D) | RAISED FACE DIA. (G) | FLANGE THK. (T) | NO. OF HOLES (X) | HOLE DIA. (Y) | P.C.D. (Z) |
| 01 | 2" | 50 | 451 | 235 | 57.2 | 08 | 29.0 | 171.5 |
| 02 | 2.1/2" | 65 | 508 | 267 | 63.6 | 08 | 32.0 | 197.0 |
| 03 | 3" | 80 | 578 | 305 | 73.0 | 08 | 35.0 | 228.5 |
| 04 | 4" | 100 | 673 | 356 | 82.6 | 08 | 41.0 | 273.0 |
| 05 | 5" | 125 | 794 | 419 | 98.3 | 08 | 48.0 | 324.0 |
| 06 | 6" | 150 | 914 | 483 | 114.4 | 08 | 54.0 | 368.5 |
| 07 | 8" | 200 | 1022 | 552 | 133.4 | 12 | 54.0 | 438.0 |

Client :- _____
 Order / Enq. No. :- _____
 Job / Project :- _____

Office : Plot No-2, Shayang Ind. Estate, Nr. Panchratna Ind. Estate, Vatva GIDC Phase-IV, Ahmedabad-382445, Gujarat, India.
 Factory : Plot no-14/1A, Panchratna Ind. Estate, Vatva GIDC Phase-IV, Ahmedabad-382445, Gujarat, India.
 EMAIL: INFO@FLUIDOMECH.COM/URL:WWW.FLUIDOMECHVALVES.COM. URL: WWW.FLUIDOMECH.COM