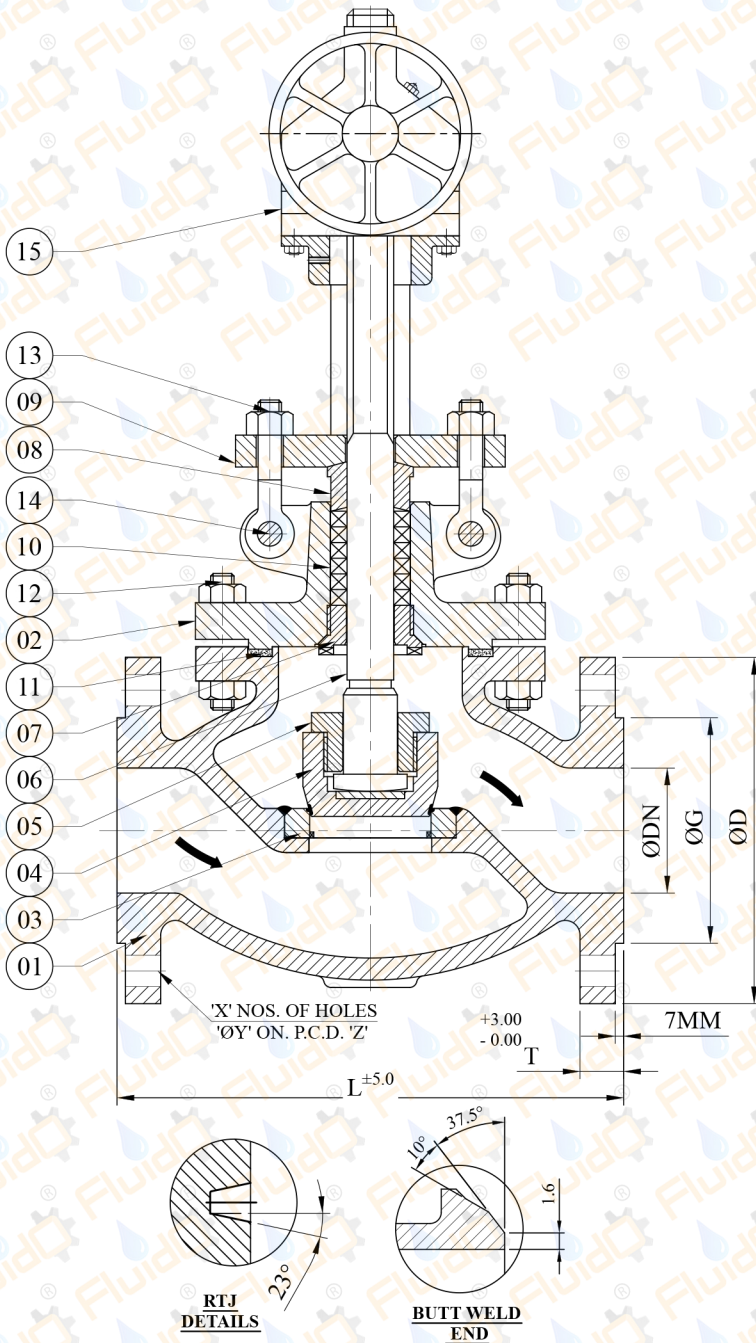


# GEAR OPERATION 600# / 900# GLOBE VALVES



| Sr. No. | DESCRIPTION       | MATERIAL   |
|---------|-------------------|--|
| 01      | BODY              | ASTMA 216 Gr. WCB / ASTM A 217 Gr. WC6 / WC9 / C5 / C12 / A352 Gr. LCB / A351 Gr. CF8 / CF8M / CF3 / CF3M / CN 7M      |
| 02      | BONNET            | ASTMA 216 Gr. WCB / ASTM A 217 Gr. WC6 / WC9 / C5 / C12 / A352 Gr. LCB / A351 Gr. CF8 / CF8M / CF3 / CF3M / CN 7M      |
| 03      | SEAT RING         | ASTMA 105 + 13% Cr. Facing / ASTM A 217 Gr. CA15 / WC6 + STELLITED / ASTM A 351 Gr. CF8 / CF8M / CF3 / CF3M / ALLOY 20 |
| 04      | DISC              | CA 15 / WCB+13% Cr. FACE / AISI 304 / 316 / CF8 / CF8M / ALLOY 20  |
| 05      | DISC NUT          | AISI 410 / 304 / 316 / ALLOY 20  |
| 06      | STEM              | AISI 410 / 304 / 316 / ALLOY 20  |
| 07      | BACK SEAT BUSH    | AISI 410 / 304 / 316 / ALLOY 20  |
| 08      | GLAND BUSH        | AISI 410 / 304 / 316 / ALLOY 20  |
| 09      | GLAND FLANGE      | CARBON STEEL / S.S.304 / S.S.316   |
| 10      | GLAND PACKING     | DIE MOLD GRAPHITE RING   |
| 11      | GASKET            | AISI SS 304 + GRAPHITE (SPW) / CAF / GRAPHITE AISI SS 316 + GRAPHITE (SPW) / PTFE LINED                                |
| 12      | BONNET BOLT & NUT | ASTMA 193 Gr. B7 / B16 / B8 / B8M<br>ASTMA 194 Gr. 2H / 7/8 / 8M<br>S.S.304 / S.S.316                                  |
| 13      | EYE BOLT & NUT    | CARBON STEEL / S.S.304 / S.S.316   |
| 14      | CROSS PIN & NUT   | CARBON STEEL / S.S.304 / S.S.316   |
| 15      | GEAR OPERATED     | STANDARD   |
| 16      | NAME PLATE        | S.S. (NOT SHOWN)   |

| STANDARD         |                            |
|------------------|----------------------------|
| DESIGN MFG. STD. | BS 1873                    |
| INSP. & TESTING  | API 598 / BS 6755 (I)      |
| FACE TO FACE     | ASME B 16.10               |
| END CONNECTION   | FALNGED ENDS B 16.5 R/F    |
|                  | ASME B16.5 RF 600# / 900#  |
| OPERATING        | BUTT-WELD END ASME B 16.25 |
|                  | GEAR OPERATING             |

| TESTING STANDARD : API 598 / BS 6755 (I) |                        |                      |                        |
|--|------------------------|----------------------|------------------------|
| 600# PRESSURE RATING                     |                        | 900# PRESSURE RATING |                        |
| BODY                                     | 157 Kg/Cm <sup>2</sup> | BODY                 | 236 Kg/Cm <sup>2</sup> |
| SEAT                                     | 117 Kg/Cm <sup>2</sup> | SEAT                 | 173 Kg/Cm <sup>2</sup> |
| BACK SEAT                                | 117 Kg/Cm <sup>2</sup> | BACK SEAT            | 173 Kg/Cm <sup>2</sup> |
| AIR SEAT                                 | 07 Kg/Cm <sup>2</sup>  | AIR SEAT             | 07 Kg/Cm <sup>2</sup>  |

NOTE :- GEAR OPERATED AS PER CLIENT REQVIDE

| ALL DIMENSION ARE IN MM 600# |        |                  |                 |                      |                 |                  |               |            |       |
|------------------------------|--------|------------------|-----------------|----------------------|-----------------|------------------|---------------|------------|-------|
| SR.NO.                       | SIZE   | FACE TO FACE (L) | FLANGE O.D. (D) | RAISED FACE DIA. (G) | FLANGE THK. (T) | NO. OF HOLES (X) | HOLE DIA. (Y) | P.C.D. (Z) |       |
| 01                           | 2"     | 50               | 292             | 165                  | 92              | 32.4             | 08            | 19.0       | 127.0 |
| 02                           | 2.1/2" | 65               | 330             | 190                  | 105             | 35.0             | 08            | 22.2       | 149.2 |
| 03                           | 3"     | 80               | 356             | 210                  | 127             | 38.0             | 08            | 22.2       | 168.3 |
| 04                           | 4"     | 100              | 432             | 273                  | 157             | 44.5             | 08            | 25.4       | 216.0 |
| 05                           | 5"     | 125              | 508             | 330                  | 186             | 51.0             | 08            | 28.6       | 266.7 |
| 06                           | 6"     | 150              | 559             | 356                  | 216             | 54.0             | 12            | 28.6       | 292.0 |
| 07                           | 8"     | 200              | 660             | 419                  | 270             | 62.0             | 12            | 32.0       | 349.3 |
| 08                           | 10"    | 250              | 787             | 508                  | 324             | 70.0             | 16            | 35.0       | 431.8 |
| 09                           | 12"    | 300              | 838             | 559                  | 381             | 73.0             | 20            | 35.0       | 489.0 |
| 10                           | 14"    | 350              | 889             | 603                  | 413             | 76.5             | 20            | 38.0       | 527.0 |
| 11                           | 16"    | 400              | 991             | 686                  | 470             | 82.5             | 20            | 41.3       | 603.3 |
| 12                           | 18"    | 450              | 1092            | 743                  | 534             | 89.0             | 20            | 44.5       | 654.0 |

| ALL DIMENSION ARE IN MM 900# |        |                  |                 |                      |                 |                  |               |            |       |  |  |
|------------------------------|--------|------------------|-----------------|----------------------|-----------------|------------------|---------------|------------|-------|--|--|
| SR.NO.                       | SIZE   | FACE TO FACE (L) | FLANGE O.D. (D) | RAISED FACE DIA. (G) | FLANGE THK. (T) | NO. OF HOLES (X) | HOLE DIA. (Y) | P.C.D. (Z) |       |  |  |
| 01                           | 2"     | 50               | 368             | 216                  | 92              | 44.5             | 08            | 25.4       | 165.0 |  |  |
| 02                           | 2.1/2" | 65               | 419             | 244                  | 105             | 48.0             | 08            | 28.6       | 149.2 |  |  |
| 03                           | 3"     | 80               | 381             | 241                  | 127             | 44.5             | 08            | 25.4       | 190.5 |  |  |
| 04                           | 4"     | 100              | 457             | 292                  | 157             | 51.0             | 08            | 32.0       | 235.0 |  |  |
| 05                           | 5"     | 125              | 559             | 349                  | 186             | 57.0             | 08            | 35.0       | 279.4 |  |  |
| 06                           | 6"     | 150              | 610             | 381                  | 216             | 62.0             | 12            | 32.0       | 317.5 |  |  |
| 07                           | 8"     | 200              | 737             | 470                  | 270             | 70.0             | 12            | 38.0       | 393.7 |  |  |
| 08                           | 10"    | 250              | 838             | 546                  | 324             | 76.5             | 16            | 38.0       | 470.0 |  |  |
| 09                           | 12"    | 300              | 965             | 610                  | 381             | 86.0             | 20            | 38.0       | 533.4 |  |  |
| 10                           | 14"    | 350              | 1029            | 641                  | 413             | 92.0             | 20            | 41.3       | 558.5 |  |  |
| 11                           | 16"    | 400              | 1130            | 705                  | 470             | 95.5             | 20            | 44.5       | 616.0 |  |  |
| 12                           | 18"    | 450              | 1219            | 787                  | 534             | 108              | 20            | 51.0       | 685.8 |  |  |

Client :- \_\_\_\_\_  
 Order / Enq. No. :- \_\_\_\_\_  
 Job / Project :- \_\_\_\_\_

Office : Plot No-2, Shayona Ind. Estate, Nr. Panchratna Ind. Estate, Vatva GIDC Phase-IV, Ahmedabad-382445, Gujarat, India.  
 Factory : Plot no-14/1A, Panchratna Ind. Estate, Vatva GIDC Phase-IV, Ahmedabad-382445, Gujarat, India.  
 EMAIL: INFO@FLUIDOMECH.COM/URL:WWW.FLUIDOMECHVALVES.COM. URL: WWW.FLUIDOMECH.COM