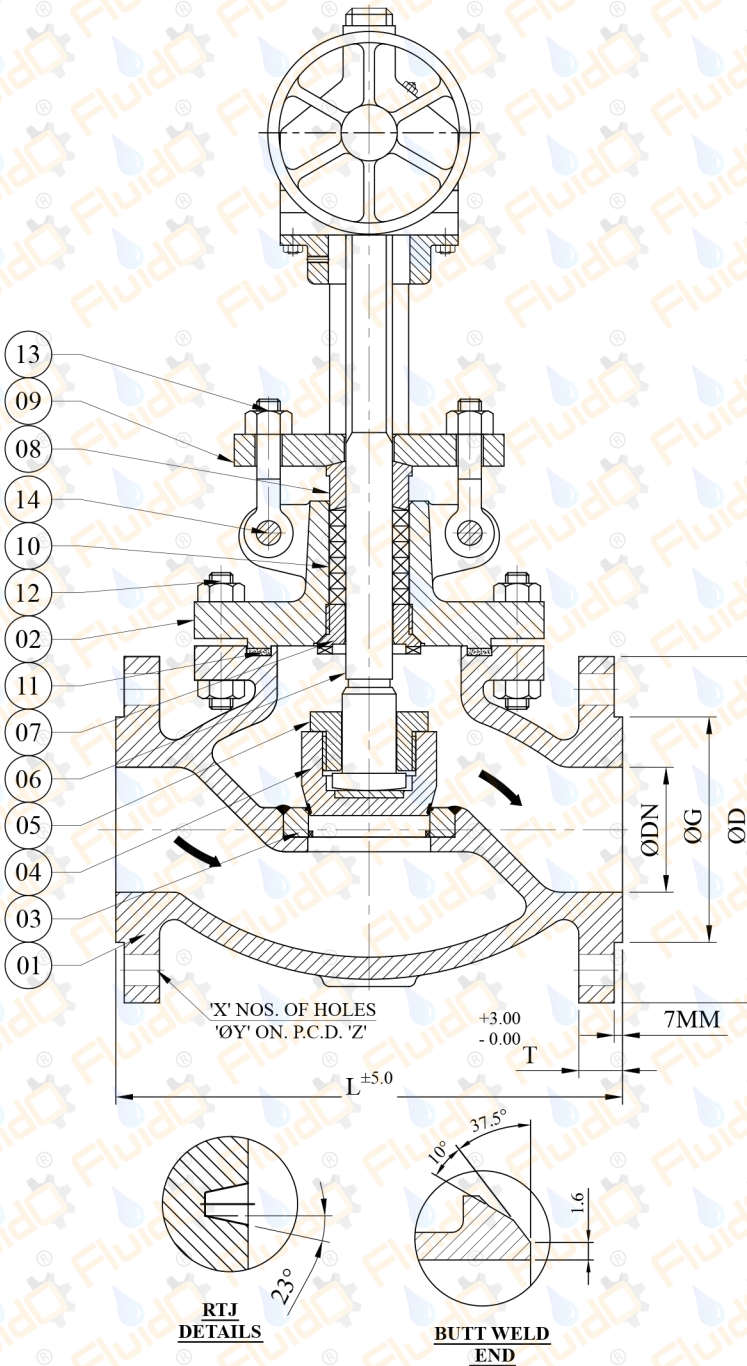




VALVES

GEAR OPERATION 1500# / 2500# GLOBE VALVES



Sr. No.	DESCRIPTION	MATERIAL
01	BODY	ASTM A 216 Gr. WCB / ASTM A 217 Gr. WC6 / WC9 / C5 / C12 / A352 Gr. LCB / A351 Gr. CF8 / CF8M / CF3 / CF3M / CN 7M
02	BONNET	ASTM A 105 + 13% Cr. Facing / ASTM A 217 Gr. CA15 / WC6 + STELLITED / ASTM A 351 Gr. CF8 / CF8M / CF3 / CF3M / ALLOY 20
03	SEAT RING	CA 15 / WCB+13% Cr. FACE / AISI 304 / 316 / CF8 / CF8M / ALLOY 20
04	DISC	AISI 410 / 304 / 316 / ALLOY 20
05	DISC NUT	AISI 410 / 304 / 316 / ALLOY 20
06	STEM	AISI 410 / 304 / 316 / ALLOY 20
07	BACK SEAT BUSH	AISI 410 / 304 / 316 / ALLOY 20
08	GLAND BUSH	AISI 410 / 304 / 316 / ALLOY 20
09	GLAND FLANGE	CARBON STEEL / S.S.304 / S.S.316
10	GLAND PACKING	DIE MOLD GRAPHITE RING
11	GASKET	AISI SS 304 + GRAPHITE (SPW) / CAF / GRAPHITE AISI SS 316 + GRAPHITE (SPW) / PTFE LINED
12	BONNET BOLT & NUT	ASTM A 193 Gr. B7 / B16 / B8 / B8M ASTM A 194 Gr. 2H / 7 / 8 / 8M S.S.304 / S.S.316
13	EYE BOLT & NUT	CARBON STEEL / S.S.304 / S.S.316
14	CROSS PIN & NUT	CARBON STEEL / S.S.304 / S.S.316
15	GEAR OPERATED	STANDARD
16	NAME PLATE	S.S. (NOT SHOWN)

STANDARD	
DESIGN MFG. STD.	BS 1873
INSP. & TESTING	API 598 / BS 6755 (I)
FACE TO FACE	ASME B 16.10
END CONNECTION	FALNGED ENDS B 16.5 R/F
	ASME B16.5 RF 1500# / 2500#
OPERATING	BUTT-WELD END ASME B 16.25
	GEAR OPERATING

TESTING STANDARD : API 598 / BS 6755 (I)			
1500# PRESSURE RATING		2500# PRESSURE RATING	
BODY	392 Kg/Cm ²	BODY	653 Kg/Cm ²
SEAT	289 Kg/Cm ²	SEAT	478 Kg/Cm ²
BACK SEAT	289 Kg/Cm ²	BACK SEAT	478 Kg/Cm ²
AIR SEAT	07 Kg/Cm ²	AIR SEAT	07 Kg/Cm ²

NOTE :- GEAR OPERATED AS PER CLIENT REQVIDE

ALL DIMENSION ARE IN MM 1500#								
SR.NO.	SIZE	FACE TO FACE (L)	FLANGE O.D. (D)	RAISED FACE DIA. (G)	FLANGE THK. (T)	NO. OF HOLES (X)	HOLE DIA. (Y)	P.C.D. (Z)
01	2"	50	368	216	92	44.5	08	25.0
02	2.1/2"	65	419	244	105	47.6	08	29.0
03	3"	80	470	267	127	54.2	08	32.0
04	4"	100	546	311	157	60.3	08	35.0
05	5"	125	673	375	186	79.6	08	41.0
06	6"	150	705	394	216	89.0	12	38.0
07	8"	200	832	483	270	98.4	12	45.0
08	10"	250	991	584	324	114.4	12	51.0
09	12"	300	1130	673	381	130.4	16	54.0

ALL DIMENSION ARE IN MM 2500#											
SR.NO.	SIZE	FACE TO FACE (L)	FLANGE O.D. (D)	RAISED FACE DIA. (G)	FLANGE THK. (T)	NO. OF HOLES (X)	HOLE DIA. (Y)	P.C.D. (Z)			
01	2"	50	451	235	92	57.2	08	29.0			
02	2.1/2"	65	508	267	105	63.6	08	32.0			
03	3"	80	578	305	127	73.0	08	35.0			
04	4"	100	673	356	157	82.6	08	41.0			
05	5"	125	794	419	186	98.3	08	48.0			
06	6"	150	914	483	216	114.4	08	54.0			
07	8"	200	1022	552	270	133.4	12	54.0			
08	10"	250	1270	673	324	171.5	12	67.0			
09	12"	300	1445	762	381	190.6	12	73.0			

Client :- _____
 Order / Enq. No. :- _____
 Job / Project :- _____

Office : Plot No-2, Shayona Ind. Estate, Nr. Panchratna Ind. Estate, Vatva GIDC Phase-IV, Ahmedabad-382445, Gujarat, India.
 Factory : Plot no-14/1A, Panchratna Ind. Estate, Vatva GIDC Phase-IV, Ahmedabad-382445, Gujarat, India.
 EMAIL: INFO@FLUIDOMECH.COM/URL:WWW.FLUIDOMECHVALVES.COM. URL: WWW.FLUIDOMECH.COM