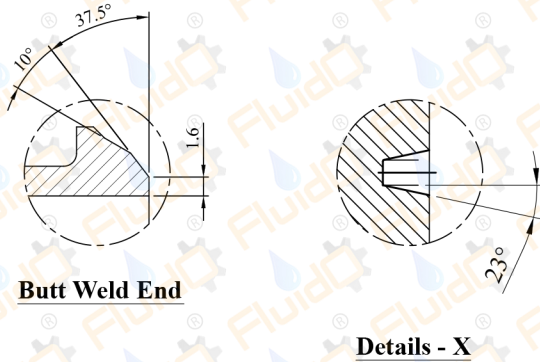


Sr. No.	DESCRIPTION	MATERIAL
01	BODY	ASTM A 216 Gr. WCB / ASTM A 217 Gr. WC6 / WC9 / C5 / C12 / A352 Gr. LCB / A351 Gr. CF8 / CF8M / CF3 / CF3M / CN 7M IS 210 Gr. FG 200 / FG 220 / FG 260 / AISI 904L
02	COVER	
03	HINGE	
04	LIVER	
05	DISC	WCB+13% Cr. FACE / ASTM A 217 Gr. WC6 / WC9 / C5 / C12 / A352 Gr. LCB / A351 Gr. CF8 / CF8M / CF3 / CF3M / CN 7M IS 210 Gr. FG 200 / FG 220 / FG 260 / AISI 904L
06	SEAT RING	ASTM A 105 + 13% Cr. Facing / ASTM A 217 Gr. CA15 / WC6 + STELLITED / ASTM A 351 Gr. CF8 / CF8M / CF3 / CF3M / ALLOY 20 / AISI 904L
07	HINGE PIN	AISI S.S. 410 / AISI S.S.304 / AISI S.S.316 / AISI SS 904L
08	GASKET	AISI S.S.304 / AISI S.S.316 / CAF / GRAPHITE PTFE FILLED (Applicable For Bolted Cover Valves)
09	NUTS	M.S. / AISI S.S. 410 / AISI S.S.304 / AISI S.S.316
10	WASHER	M.S. / AISI S.S. 410 / AISI S.S.304 / AISI S.S.316
11	STUD & NUT	ASTM A 193 Gr. B7 / B16 / B8 / B8M ASTM A 194 Gr. 2H / 7 / 8 / 8M S.S.304 / S.S.316
12	DRAIN PLUG	AISI S.S. 410 / AISI S.S.304 / AISI S.S.316
13	LIFTING HOOK	CARBON STEEL
14	NAME PLATE	S.S. (NOT SHOWN)



STANDARD	
DESIGN MFG. STD.	BS 1868 / API 6D
INSP. & TESTING	API 598 / AWWA C207
FACE TO FACE	API 594 / AWWA C207 (On Req. Dim.)
END CONNECTION	FALNGED ENDS B 16.5 R/F
	ASME B16.5 RF 1500# / 2500#
	BUTT-WELD END ASME B 16.25
OPERATING	SALF

TESTING STANDARD : API 598 / BS 6755 (I)			
1500# PRESSURE RATING		2500# PRESSURE RATING	
BODY	392 Kg/Cm ²	BODY	653 Kg/Cm ²
SEAT	289 Kg/Cm ²	SEAT	478 Kg/Cm ²
AIR SEAT	07 Kg/Cm ²	AIR SEAT	07 Kg/Cm ²

ALL DIMENSION ARE IN MM 1500#								
SR.NO	SIZE	FACE TO	FLANGE	RAISED FACE	FLANGE	NO. OF	HOLE DIA.	P.C.D.
	NPS DN	FACE (L)	O.D. (D)	DIA. (G)	THK. (T)	HOLES (X)	(Y)	(Z)
01	2"	50	368	216	92	08	25.0	165.0
02	2.1/2"	65	419	244	105	08	29.0	190.0
03	3"	80	470	267	127	08	32.0	203.0
04	4"	100	546	311	157	08	35.0	241.5
05	5"	125	673	375	186	08	41.0	292.0
06	6"	150	705	394	216	12	38.0	317.5
07	8"	200	832	483	270	12	45.0	393.5
08	10"	250	991	584	324	12	51.0	482.5
09	12"	300	1130	673	381	16	54.0	571.5

ALL DIMENSION ARE IN MM 2500#								
SR.NO	SIZE	FACE TO	FLANGE	RAISED FACE	FLANGE	NO. OF	HOLE DIA.	P.C.D.
	NPS DN	FACE (L)	O.D. (D)	DIA. (G)	THK. (T)	HOLES (X)	(Y)	(Z)
01	2"	50	451	235	92	08	29.0	171.5
02	2.1/2"	65	508	267	105	08	32.0	197.0
03	3"	80	578	305	127	08	35.0	228.5
04	4"	100	673	356	157	08	41.0	273.0
05	5"	125	794	419	186	08	48.0	324.0
06	6"	150	914	483	216	12	54.0	368.5
07	8"	200	1022	552	270	12	54.0	438.0
08	10"	250	1270	673	324	12	67.0	540.0
09	12"	300	1445	762	381	12	73.0	619.5

Order / Enq. No. :-

Job / Project :-

Office : Plot No-2, Shayona Ind. Estate, Nr. Panchratna Ind. Estate, Vatva GIDC Phase-IV, Ahmedabad-382445, Gujarat, India.

Factory : Plot no-14/1A, Panchratna Ind. Estate, Vatva GIDC Phase-IV, Ahmedabad-382445, Gujarat, India.

EMAIL: INFO@FLUIDOMECH.COM/URL:WWW.FLUIDOMECHVALVES.COM. URL: WWW.FLUIDOMECH.COM